

NEW FLEXFX FITTINGS

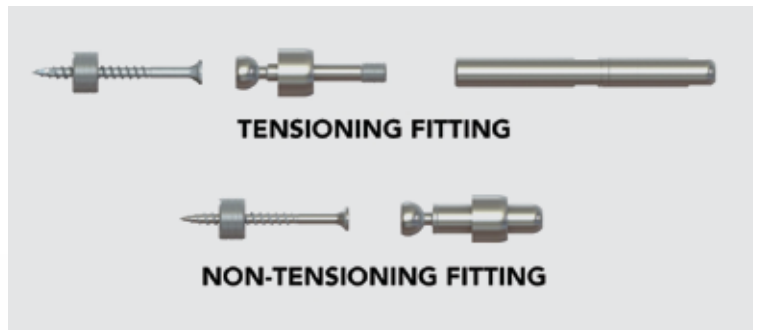
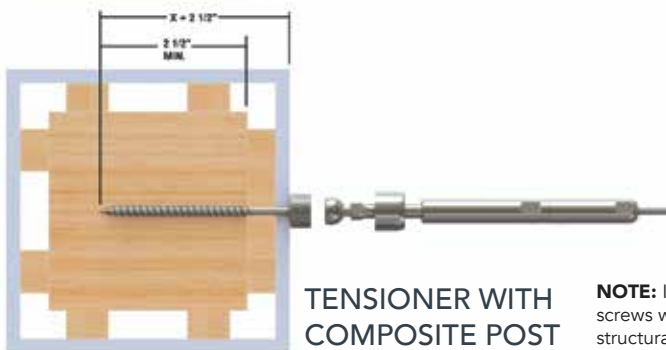
NOW EVEN
MORE FLEXIBLE

Crown[®]
Heritage









Introducing the new and improved FLEXFX fittings, now even more flexible! The expertly engineered design allows the same fitting to be used for both level and stair applications, simplifying the installation and ordering process. Plus, the new Universal Drilling Template makes drilling holes and aligning fittings a breeze.



WOOD SCREW LENGTHS FOR VARIOUS POST SIZES

-  4X4 POST (3-1/2" X 3-1/2")
2-1/2" LENGTH SCREW INCLUDED
-  4X4 POST W/ 4.5" SLEEVE (4-1/2" X 4-1/2")
3" LENGTH SCREW REQUIRED
-  4X4 POST W/ 5.1" SLEEVE (5.1" X 5.1")
3-1/2" LENGTH SCREW REQUIRED
-  4X4 POST W/ 5.5" SLEEVE (5-1/2" X 5-1/2")
3-1/2" LENGTH SCREW REQUIRED

NOTE: If using Flex Fittings with a composite sleeve or wrapped post, alternative screws will need to be purchased that will provide 2-1/2" of embedment to the structural post.



FLEXFX features our exclusive Push-Lock® fittings which do not require any special tools for installation. Simply push the cable into the fitting and it locks.



PH: (800) 745-5931
www.crownheritage.com

