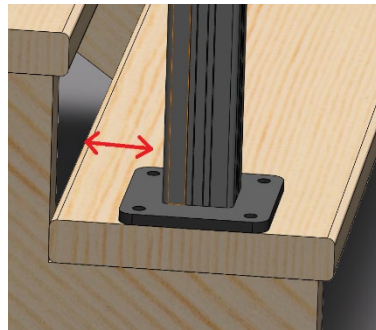
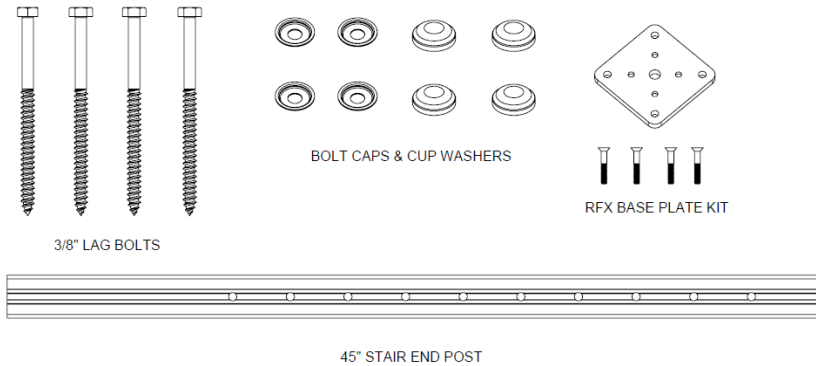
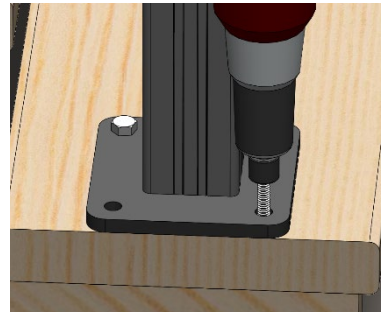


Surface Mount Stair End Post

NOTE: Post comes long on top and bottom and will require trimming prior to installation.



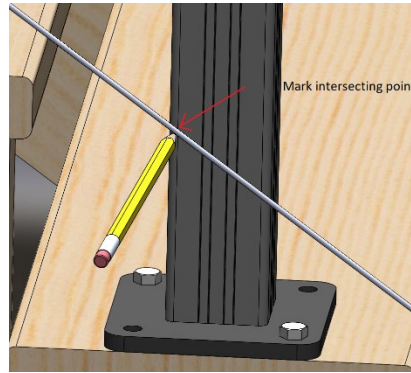
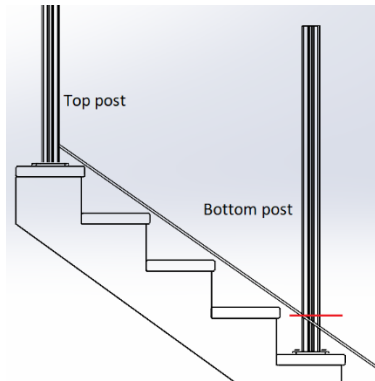
Step 1:
Measure desired height of post and add 3/8" to accommodate base plate.



Step 2:
Determine location of bottom end post and mark base plate holes.

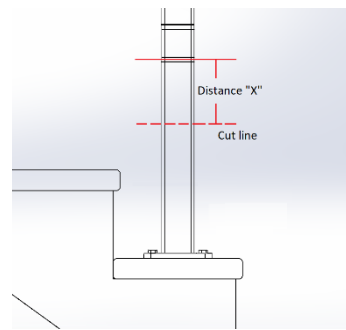
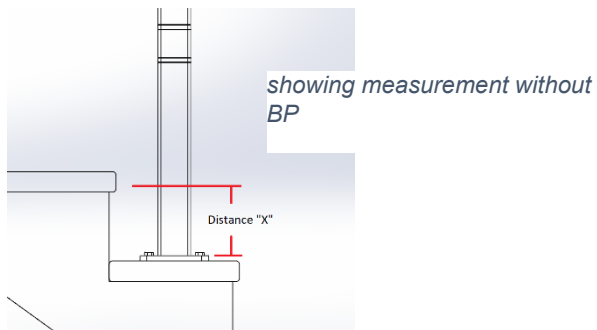
Step 3:
Temporarily fasten post.

Surface Mount Stair End Post



Step 4:

Insert cable into first hole of top end post (previously mounted) and pull tightly along side the bottom end post. Ensure that cable is evenly spaced above the nose of the treads, then mark the bottom end post, using masking tape, where the cable intersects the post.



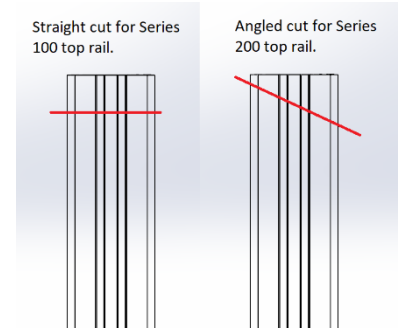
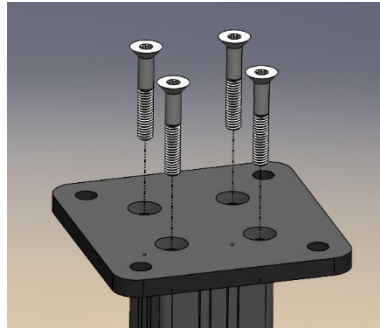
Step 5:

Measure distance (Distance "X") from the mark made in Step 4 to the top of the base plate.

Step 6:

Use Distance "X" from Step 5 and measure down from the center of the first hole (closest to the tread).

Surface Mount Stair End Post



Step 7:

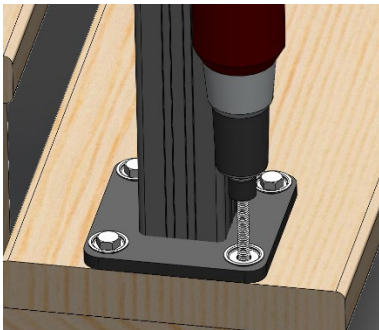
Remove post from tread and remove base plate from post before cutting. Then, cut post at marked cut line from Step 6.

Step 8:

Re-attach base plate to bottom of cut post with all 4 screws. (Use beeswax for easier install).

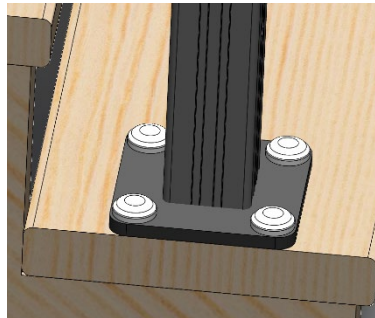
Step 9:

Before final post attachment, the top of the post will need to be cut accordingly, so cable is 3-1/2" or less from top rail.



Step 10:

Attache post to surface.

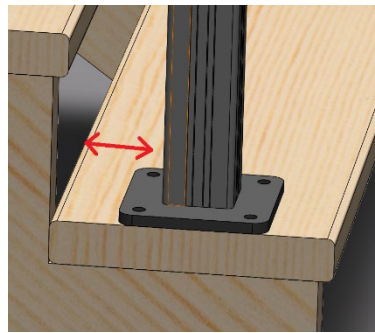
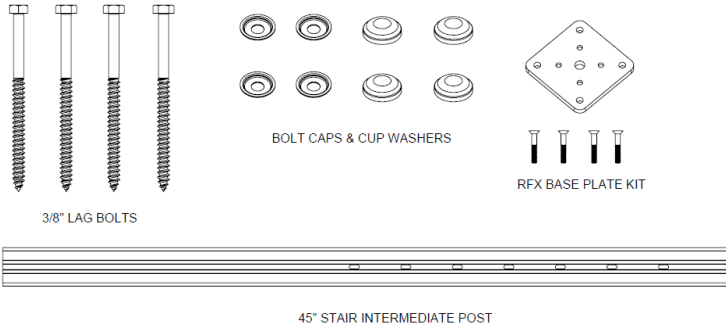


Step 11:

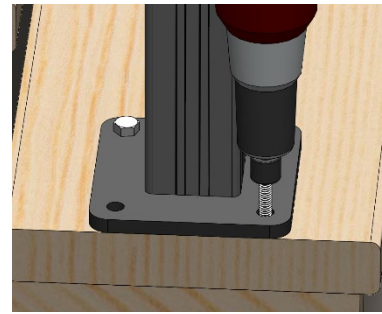
Finished post installation. Bolt caps (shown) or post skirt.

Surface Mount Stair Intermediate Post

NOTE: Post comes long on top and bottom and will require trimming prior to installation.



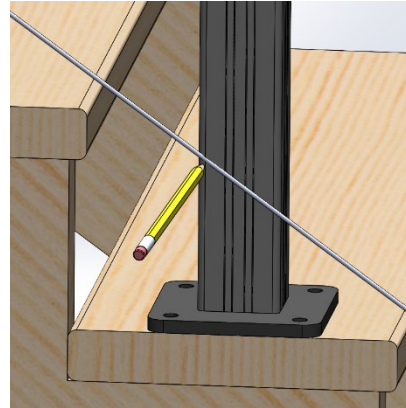
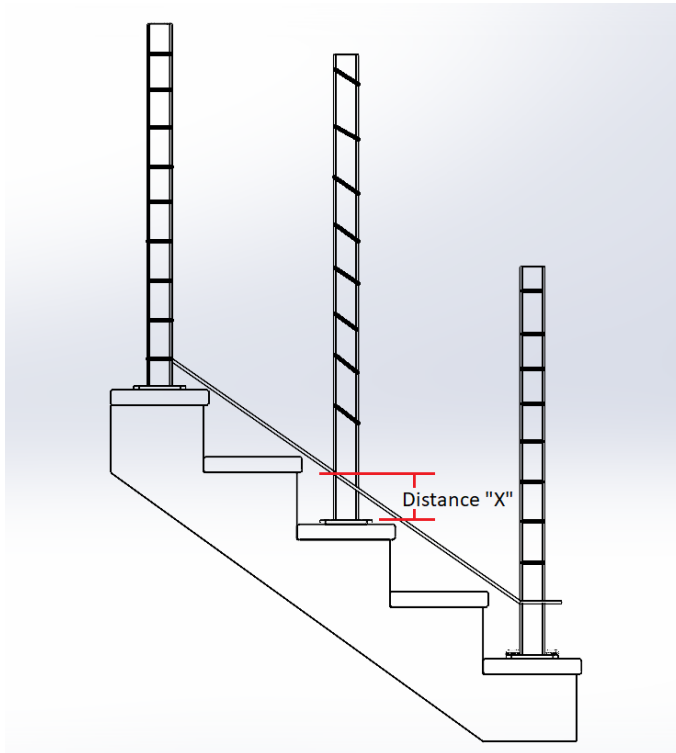
Step 1:
Measure desired height of post and add 3/8".



Step 2:
Determine location of bottom intermediate post and mark base plate holes.

Step 3:
Temporarily fasten post.

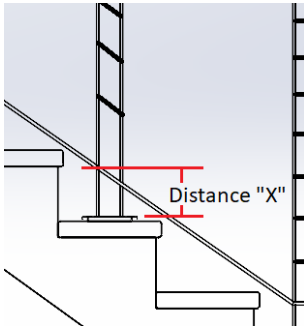
Surface Mount Stair Intermediate Post



Step 4:

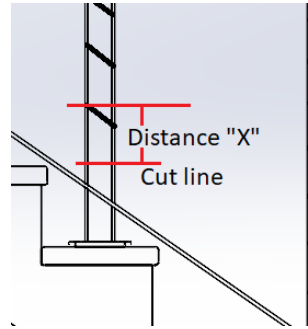
Insert cable into first hole of top and bottom end posts (previously mounted) and temporarily tighten cable with the cable running alongside the intermediate stair post. Ensure that the cable is evenly spaced above the nose of the treads, then mark the post, using masking tape, where the cable intersects the post.

Surface Mount Stair Intermediate Post



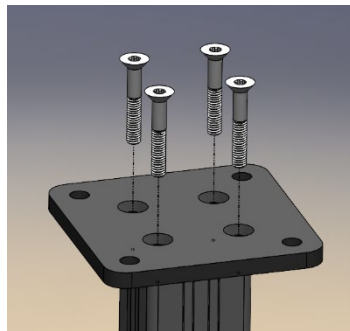
Step 5:

Measure distance (Distance "X") from the mark made in Step 4 to the top of the base plate.



Step 6:

Use Distance "X" from Step 5 and measure down from the center of the first hole (closest to the tread).

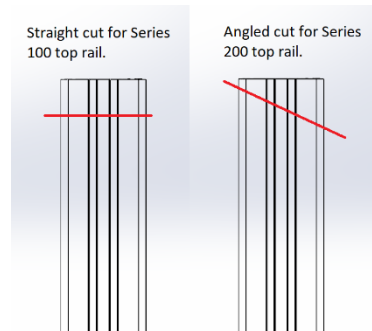


Step 7:

Remove post from tread and remove base plate from post before cutting. Then, cut post at marked cut line from Step 6.

Step 8:

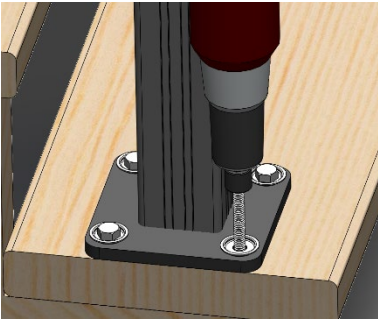
Re-attach base plate to bottom of cut post with all 4 screws. (Use beeswax for easier install).



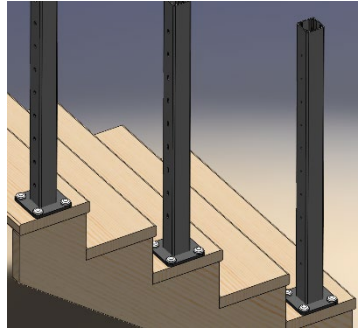
Step 9:

Before final post attachment, the top of the post will need to be cut accordingly, so cable is 3-1/2" or less from top rail.

Surface Mount Stair Intermediate Post



Step 10:
Attach post to surface.



Step 11:
Finished post installation.
Bolt caps (Shown) or post skirt.

