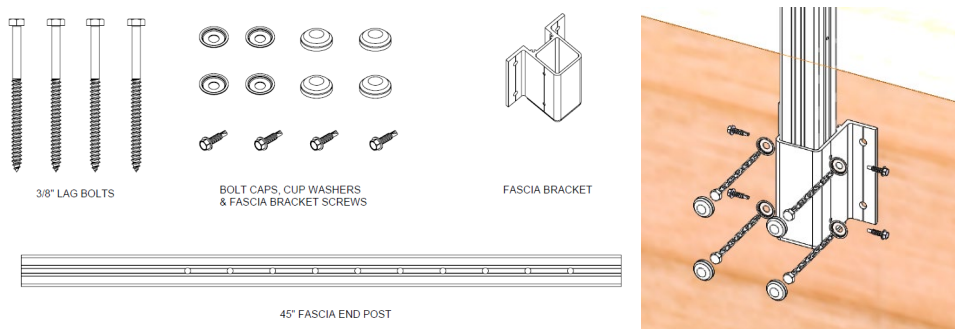


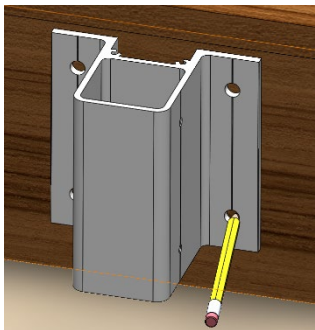
Fascia Post with Bracket

Fascia Mount End Post with Bracket

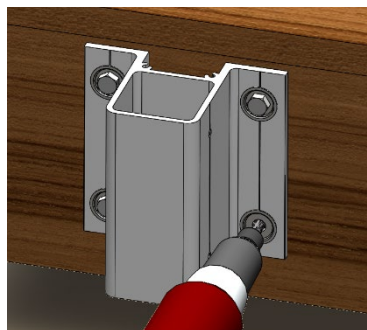
Materials included for installation:



It is the responsibility of the installer to meet all code and safety requirements, and to obtain all required building permits. The deck and railing installer should determine and implement appropriate techniques to each installation. RailFX or its distributors shall not be held liable for improper or unsafe installations. Determine appropriate layout and post spacing – **Maximum post spacing of 60" on center**. Ensure that proper blocking is in place before mounting post.



Step 1:
Determine location of end post fascia bracket. Ensure bracket is plumb, mark holes, remove bracket and drill pilot holes to accept 3/8" diameter lag bolt.



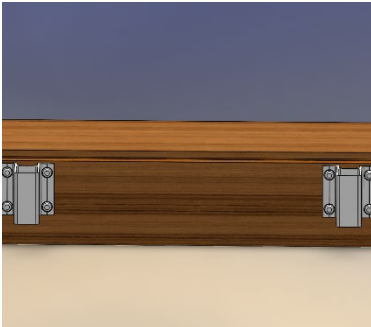
Step 2:
Install cup washer under head of each fastener and drive fastener loosely into blocking.



Step 3:
Ensure bracket is plumb, adjust as needed. Tighten fasteners and ensure proper engagement into blocking.

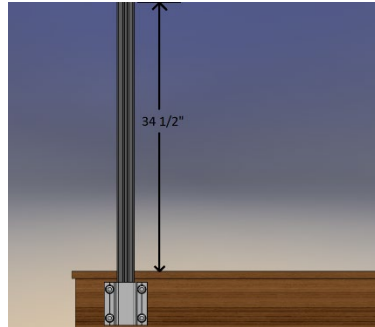
Fascia Post with Bracket

Fascia Mount End Post with Bracket



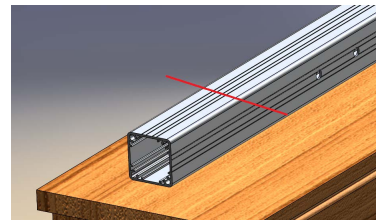
Step 4:

Install fascia end bracket at opposite end. Measure down from deck boards the same distance as the first bracket.



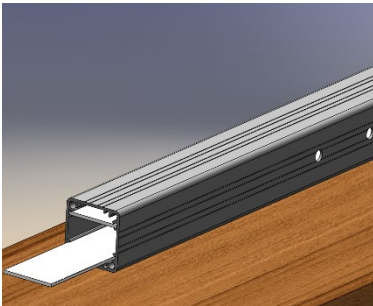
Step 5:

Insert top of post into bracket and mark bottom of post at 34-1/2" above deck surface to meet 36" rail height requirements.



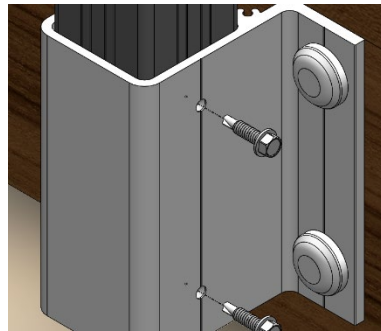
Step 6:

Cut post end using a sharp carbide 80 tooth blade on a miter saw.



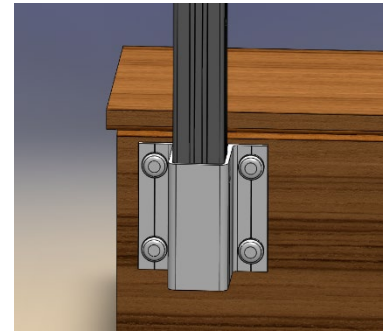
Step 7:

Insert 2 each post stiffeners into end post parallel to pre-drilled cable fitting holes as shown. Carefully install post with stiffeners into mounted fascia bracket.



Step 9:

Plumb post and secure into bracket by installing 4 each self-drilling #1/4 x 1" screws.



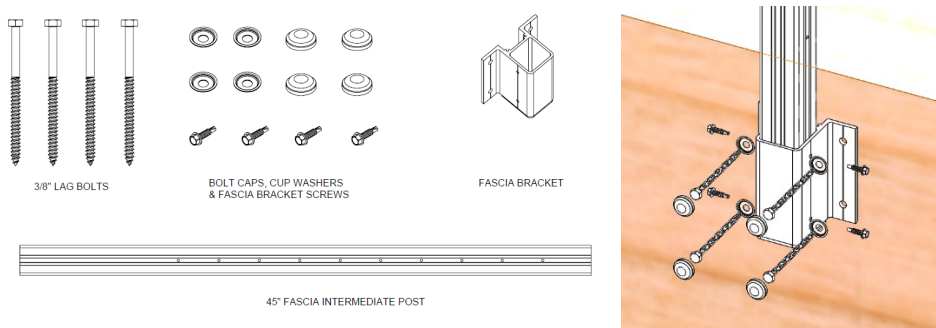
Step 10:

Install nylon bolt cap covers for a finished look.

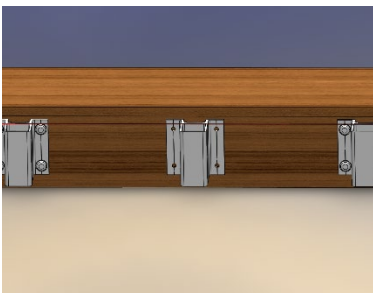
Fascia Post with Bracket

Fascia Mount Intermediate Post with Bracket

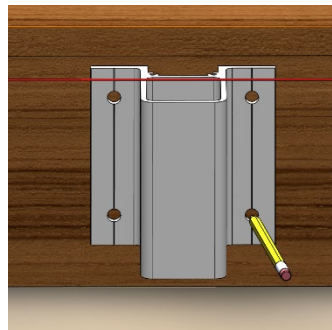
Materials included for installation:



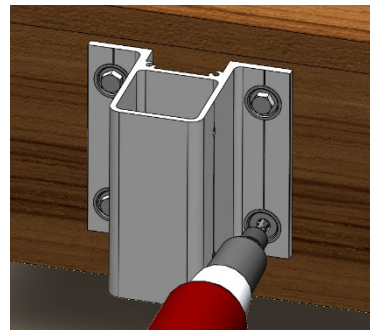
It is the responsibility of the installer to meet all code and safety requirements, and to obtain all required building permits. The deck and railing installer should determine and implement appropriate techniques to each installation. RailFX or its distributors shall not be held liable for improper or unsafe installations. Determine appropriate layout and post spacing – **Maximum post spacing of 60" on center**. Ensure that proper blocking is in place before mounting post.



Step 1:
End post brackets must be installed prior to intermediate bracket placement. A level string is used to place intermediate bracket, ensuring all brackets are on same plane.



Step 2:
Determine location of fascia bracket. Ensure bracket is level, mark holes, remove bracket and drill pilot holes to accept 3/8" diameter lag bolt.



Step 3:
Install cup washer under head of each fastener and drive fastener loosely into blocking.

Fascia Post with Bracket

Fascia Mount Intermediate Post with Bracket



Step 4:

Ensure bracket is plumb, adjust as needed. Tighten fasteners and ensure proper engagement into blocking.

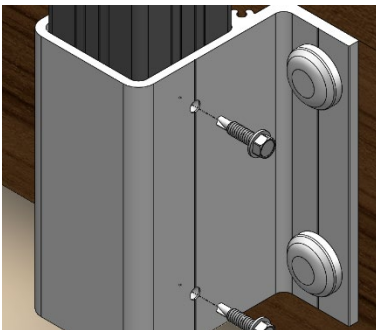


Step 5:

End posts must be installed prior to intermediate post placement. A level string can be used to properly align all intermediate posts. Posts must be 34-1/2" above deck board for a 36" rail height.

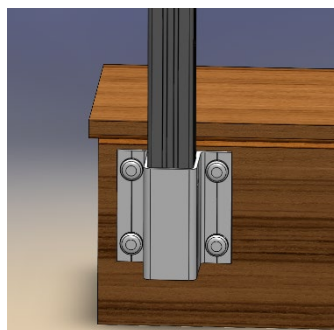
Step 6:

Insert top of post into fascia bracket and mark where string line intersects. Cut post end using a sharp carbide 80 tooth blade on a miter saw.



Step 10:

Plumb post and secure into bracket by installing 4 each self-drilling #1/4 x 1" screws.



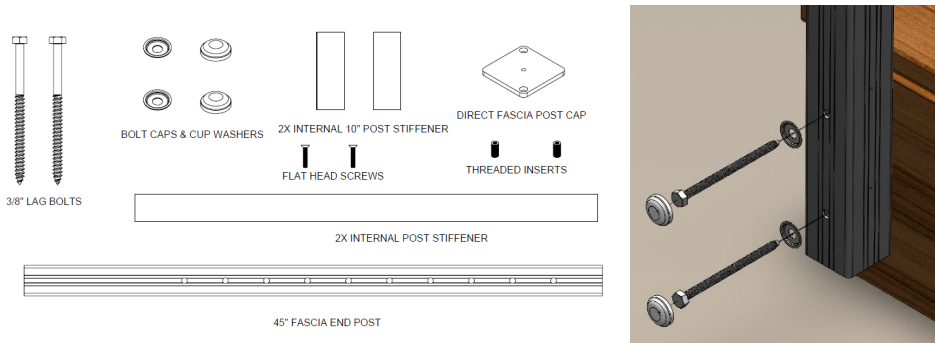
Step 11:

Install nylon bolt cap covers for a finished look.

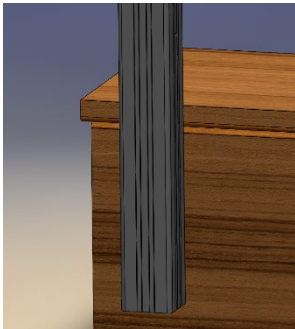
Fascia Post without Bracket

Fascia Mount End Post without Bracket

Materials included for installation:

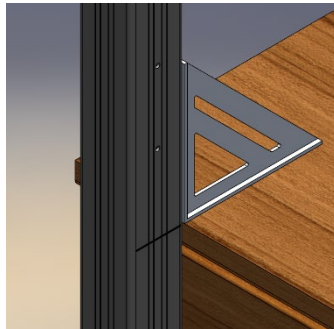


It is the responsibility of the installer to meet all code and safety requirements, and to obtain all required building permits. The deck and railing installer should determine and implement appropriate techniques to each installation. RailFX or its distributors shall not be held liable for improper or unsafe installations. Determine appropriate layout and post spacing – **Maximum post spacing of 60" on center**. Ensure that proper blocking is in place before mounting post.



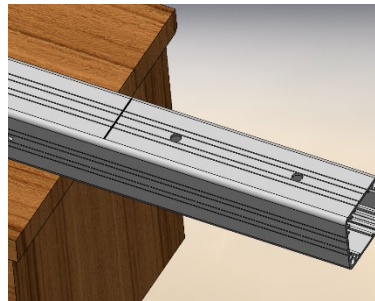
Step 1:

Determine location of end post. (Max. post spacing of 60" on center) Posts must be 34-1/2" above deck board for a 36" rail height.



Step 2:

Mark post at deck height to use as a reference point.

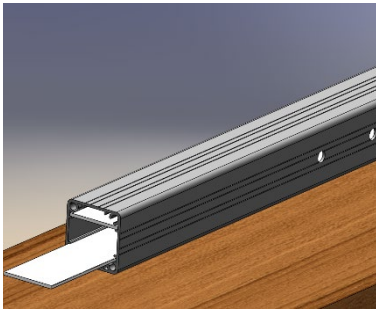


Step 3:

From the mark created, measure down to first hole and mark. The second hole must be at least 4-1/2" down from the first hole. After marking, drill holes. Holes should be marked and drilled separately. If needed, trim excess off end of post.

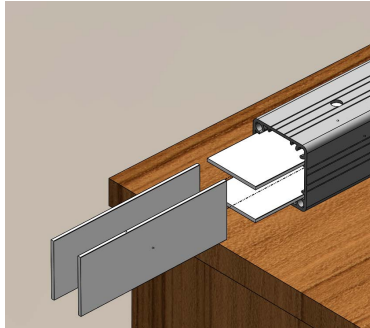
Fascia Post without Bracket

Fascia Mount End Post without Bracket



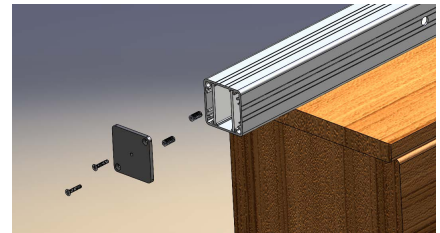
Step 4:

With post laying horizontally, slide 2 each 34" post stiffeners into existing channels parallel to pre-drilled cable holes. Stiffeners provide necessary rigidity for posts.



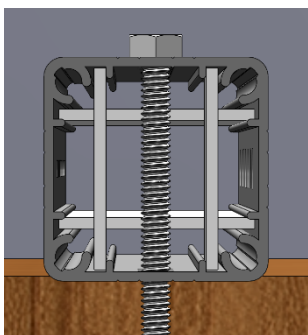
Step 4a:

Then, slide 2 each 10" post stiffeners into other channels perpendicular to pre-drilled cable holes. Stiffeners provide support for posts.



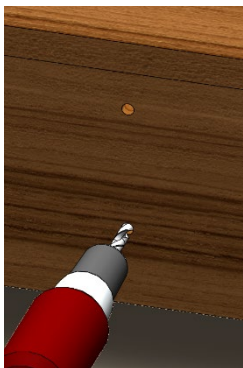
Step 4b:

Install threaded inserts into opposite corners of post. Then install direct fascia post cap using 2 each provided screws.



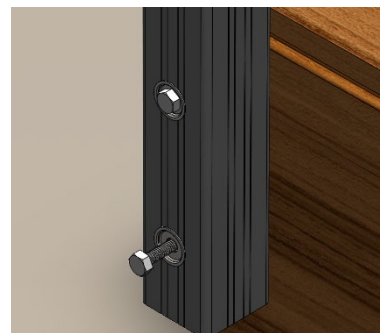
Step 4c:

This cross section looking up from the bottom of the post shows how the stiffeners crisscross inside the post.



Step 5:

Confirm location of fascia post. (Max. post spacing 60" on center). Mark holes, remove post and drill pilot holes to accept 3/8" lag bolts.

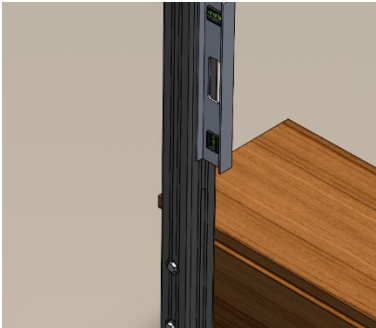


Step 6:

Install cup washer under head of fastener and drive fastener loosely into blocking.

Fascia Post without Bracket

Fascia Mount End Post without Bracket



Step 7:
Plumb post, adjust as needed. Tighten fasteners and ensure proper engagement into blocking.



Step 8:
Install nylon bolt cap covers for a finished look.

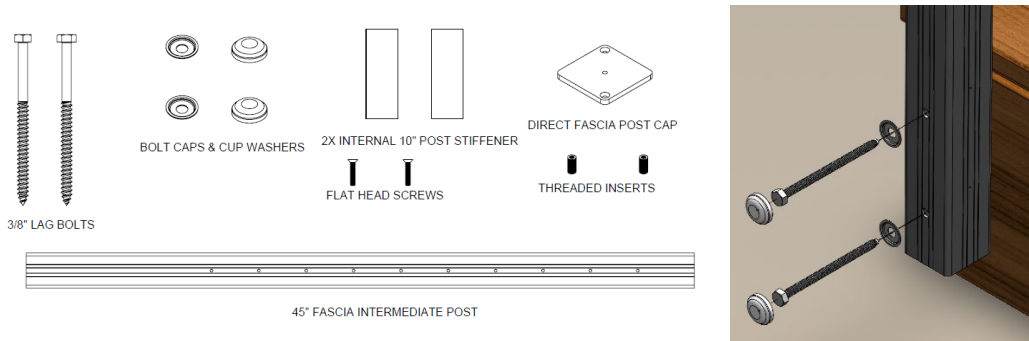


Step 9:
Finished fascia mount post installed.

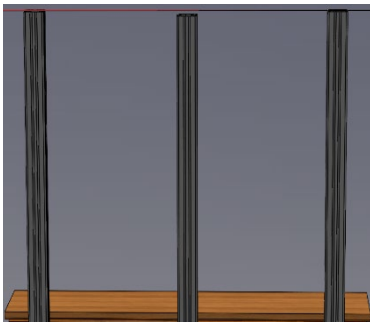
Fascia Post without Bracket

Fascia Mount Intermediate Post without Bracket

Materials included for installation:

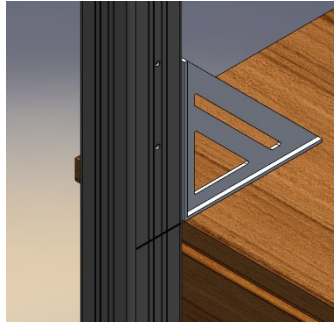


It is the responsibility of the installer to meet all code and safety requirements, and to obtain all required building permits. The deck and railing installer should determine and implement appropriate techniques to each installation. RailFX or its distributors shall not be held liable for improper or unsafe installations. Determine appropriate layout and post spacing – **Maximum post spacing of 60" on center**. Ensure that proper blocking is in place before mounting post.



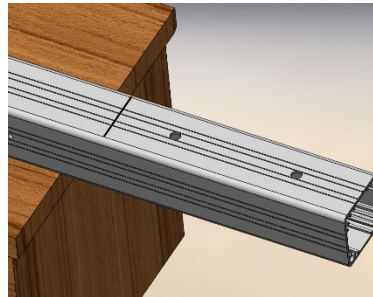
Step 1:

End posts must be installed prior to intermediate post placement. A level string can be used to properly align all intermediate posts. Posts must be 34-1/2" above deck board for a 36" rail height.



Step 2:

Mark post at deck height to use as a reference point.

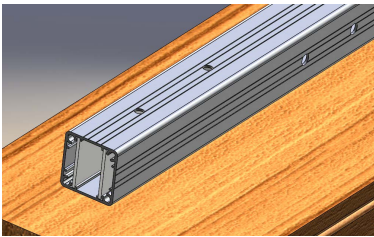


Step 3:

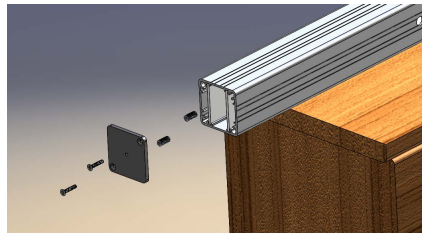
From the mark created, measure down to first hole and mark. The second hole must be at least 4-1/2" down from the first hole. After marking, drill holes. Holes should be marked and drilled separately. If needed, trim excess off end of post.

Fascia Post without Bracket

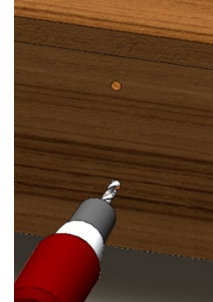
Fascia Mount Intermediate Post without Bracket



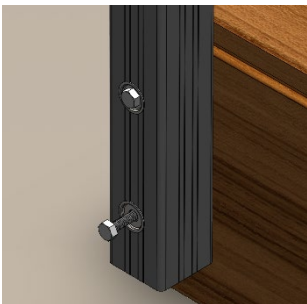
Step 4:
Slide 2 each 10" post stiffeners into other channels perpendicular to pre-drilled cable holes. Stiffeners provide support for posts.



Step 4a:
Install threaded inserts into opposite corners of post. Then install direct fascia post cap using 2 each provided screws.



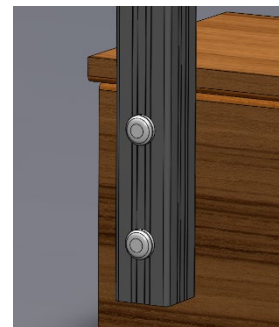
Step 5:
Confirm location of fascia post. (Max. post spacing 60" on center). Mark holes, remove post and drill pilot holes to accept 3/8" lag bolts.



Step 6:
Install cup washer under head of fastener and drive fastener loosely into blocking.



Step 7:
Plumb post, adjust as needed. Tighten fasteners and ensure proper engagement into blocking.



Step 8:
Install nylon bolt cap covers for a finished look.