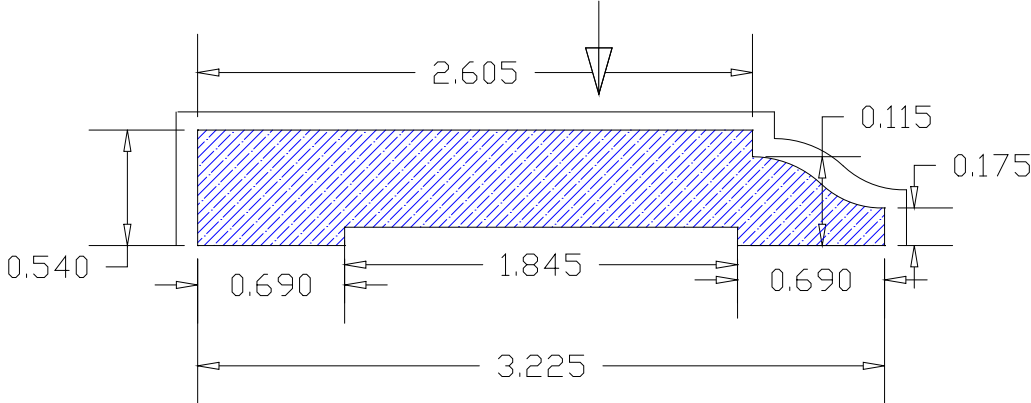


**SHOW SURFACE**



MATERIAL	CODE	PROFILE	DIMENSIONS
CELLULAR PVC	A35/MM623	A-35 Century Baseboard	9/16" x 3-1/4"