

# Arndt & Herman

BUILDING PRODUCTS®



## Flex Trim Flexible Mouldings

SOLUTIONS

- Advanced polymer composite
- Quick Ship from large inventory
- Made to order – custom sizes and shapes
- Cost advantage over wood shapes
- Straight pieces up to 100' long
- Lifetime warranty
- High strength – maximum flexibility
- Perfect for interior and exterior use
- Machines and cuts with standard wood tools

February 2007

While Quick Ship straight pieces come conveniently in 7-, 8- and 12-foot lengths, there is no real limit to length using Xtrulinear Technology.

Straight Pieces				
Pattern	Size	Item Number	Length	List Price
AH 45 Crown (see table page 6)	9/16" x 5-1/4"	500045121	12'	155.00
AH 47 Crown (see table page 6)	9/16" x 4-5/8"	500047121	12'	125.00
AH 49 Crown (see table page 6)	9/16" x 3-5/8"	500049121	12'	115.00
AH 100 Cove	11/16" x 11/16"	500100121	12'	37.00
AH 106 Quarter Round	11/16" x 11/16"	500106121	12'	22.00
AH 126 Shoe (Oak)	1/2" x 3/4"	503126121	12'	28.00
AH 127 Shoe	7/16" x 11/16"	500127121	12'	19.00
AH 137 Clover Mould	9/16" x 1-1/4"	500137121	12'	57.00
AH 163 Base Cap	11/16" x 1-3/8"	500163121	12'	28.00
AH 164 Base Cap	11/16" x 1-1/8"	500164121	12'	37.00
AH 180 Brick Mould - 8'	1-1/4" x 2"	50018081	8'	69.00
AH 180 Brick Mould -12'	1-1/4" x 2"	500180121	12'	104.00
AH 183 Panel	9/16" x 1-1/8"	500183121	12'	39.00
AH 197 Drip Cap	11/16" x 1-5/8"	500197121	12'	42.00
AH 205 O/S Corner	1-1/16" x 1-1/16"	500205121	12'	80.00
AH 210 Shingle Mould	5/8" x 1-5/8"	500210121	12'	75.00
AH 281 Back Band	11/16" x 1-1/16"	500281121	12'	39.00
AH 14 Fluted Casing	5/8" x 3-1/4"	500014F81	8'	93.00
AH 356 Casing	11/16" x 2-1/4"	50035671	7'	28.00
AH 356 Casing	11/16" x 2-1/4"	500356121	12'	48.00
AH 361 Casing	11/16" x 3-1/4"	50036181	8'	59.00
AH 366 Casing	11/16" x 2-1/4"	50036671	7'	28.00
AH 366 Casing	11/16" x 2-1/4"	500366121	12'	48.00
AH 376 Casing	11/16" x 2-1/4"	50037671	7'	28.00
AH 1 Howe Casing	1-1/16" x 3-1/2"	50040081	8'	58.00
AH20 Adams Casing	1-1/16" x 3-1/2"	50042081	8'	62.00
AH 442 Casing	11/16" x 2-1/4"	50044271	7'	28.00
AH 442 Casing	11/16" x 2-1/4"	500442121	12'	48.00
AH 444 Casing	11/16" x 3-1/4"	50044481	8'	40.00
AH 445 Casing	11/16" x 3-1/4"	50044581	8'	40.00
AH 445 Casing	11/16" x 3-1/4"	500445121	12'	60.00
AH 460 Casing	1-1/16" x 3-11/16"	50046081	8'	121.00
AH 470 Casing	1-1/16" x 3-11/16"	50047081	8'	121.00
AH 623 Base	9/16" x 3-1/4"	500623121	12'	123.00
AH 620 Base	9/16" x 4-1/4"	500620121	12'	145.00
AH 610 Speed Base	9/16" x 5-1/4"	500610121	12'	176.00
Lineal Jamb Stock	11/16" x 4-9/16"	504916121	12'	115.00
1 x 4 Flat Stock - 8'	3/4" x 3-1/2"	5000481	8'	76.00
1 x 4 Flat Stock - 12'	3/4" x 3-1/2"	50004121	12'	114.00
1 x 6 Flat Stock - 8'	3/4" x 5-1/2"	5000681	8'	120.00
1 x 6 Flat Stock - 12'	3/4" x 5-1/2"	50006121	12'	180.00

- Use straight pieces for exact match of radius without the use of rosette blocks or in any application where subtle bends or curves are desired.
- Straight pieces come in 7-foot lengths for 2-1/4" casings, in 8-foot lengths for 3-1/4" casings and 12-foot lengths for all other patterns.
- Mild radius arcs can usually be made with straight pieces but, due to the nature of moulding shapes, not all patterns flex in all directions.

Countless other patterns are available on a Made-to-Order basis. Please contact customer service for assistance.



# Arndt & Herman Flex Trim – Half Rounds, Ellipticals and True Radius

**Quick Ship**

Arndt & Herman Flex Trim is available in these casing profiles, pre-formed to a radius to fit almost any brand half round window.

<b>Half Rounds</b>						
Pattern	1/8 Fits 1/6 – 2/0	2/4 Fits 2/2 – 2/8	3/0 Fits 2/10 – 3/4	4/0 Fits 3/6 – 4/10	5/0 Fits 4/6 – 5/10	6/0 Fits 5/6 – 6/10
AH 14 Fluted Casing	67.00	71.00	92.00	124.00	155.00	185.00
	500014F181	500014F241	500014F301	500014F401	500014F501	500014F601
AH 356 2-1/4" Casing	18.00	20.00	25.00	34.00	40.00	43.00
	500356181	500356241	500356301	500356401	500356501	500356601
AH 361 3-1/4" Casing	24.00	28.00	34.00	49.00	55.00	61.00
	500361181	500361241	500361301	500361401	500361501	500361601
AH 366 2-1/4" Casing	18.00	20.00	25.00	34.00	40.00	43.00
	500366181	500366241	500366301	500366401	500366501	500366601
AH 376 2-1/4" Casing	18.00	20.00	25.00	34.00	40.00	43.00
	500376181	500376241	500366301	500366401	500366501	500366601
AH 442 2-1/4" Casing	18.00	20.00	25.00	34.00	40.00	43.00
	500442181	500442241	500442301	500442401	500442501	500442601
AH 1 Howe Casing	34.00	40.00	49.00	69.00	79.00	88.00
	500400181	500400241	500400301	500400401	500400501	500400601
AH 444 3-1/4" Casing	24.00	28.00	34.00	49.00	55.00	61.00
	500444181	500444241	500444301	500444401	500444501	500444601
AH 445 3-1/4" Casing	24.00	28.00	34.00	49.00	55.00	61.00
	500445181	500445241	500445301	500445401	500445501	500445601
AH 460 3-11/16" Casing	61.00	76.00	106.00	121.00	151.00	182.00
	500460181	500460241	500460301	500460401	500460501	500460601
AH 470 3-11/16" Casing	61.00	76.00	106.00	121.00	151.00	182.00
	500470181	500470241	500470301	500470401	500470501	500470601
AH 180 Brickmould	35.00	41.00	51.00	71.00	82.00	91.00
	500180181	500180241	500180301	500180401	500180501	500180601
AH 20 Adams Casing	36.00	43.00	53.00	73.00	85.00	95.00
	500420201	500420241	500420301	500420401	500420501	500420601
AH 1x4 Flat Casing	61.00	76.00	91.00	122.00	152.00	182.00
	50004181	50004241	50004301	50004401	50004501	50004601
Fits any half round within side jamb width of	18" to 24"	26" to 32"	34" to 40"	42" to 58"	54" to 70"	66" to 82"

<b>Elliptical Pieces</b>					
Pattern	Size	Item Number	Length	List Price	
AH 356 Casing	1-0 x 3-0 x 1-0 / 12" R	500356 E 121	N/A	54.00	
AH 361 Casing	1-0 x 3-0 x 1-0 / 12" R	500361 E 121	N/A	125.00	
AH 366 Casing	1-0 x 3-0 x 1-0 / 12" R	500366 E 121	N/A	54.00	
AH 442 Casing	1-0 x 3-0 x 1-0 / 12" R	500442 E 121	N/A	54.00	
AH 444 Casing	1-0 x 3-0 x 1-0 / 12" R	500444 E 121	N/A	84.00	
AH 445 Casing	1-0 x 3-0 x 1-0 / 12" R	500445 E 121	N/A	84.00	
AH 1 Howe Casing	1-0 x 3-0 x 1-0 / 12" R	500400 E 121	N/A	125.00	

<b>True Radius 48"</b>				
Pattern	Flex Limits	Item Number	Length	List Price
AH 356 Casing	42" R to 58" R	500356408	8'	37.00
AH 356 Casing	42" R to 58" R	500356412	12'	56.00
AH 445 Casing	42" R to 58" R	500445408	8'	54.00
AH 445 Casing	42" R to 58" R	500445412	12'	81.00
AH 1 Howe Casing	42" R to 58" R	500400408	8'	74.00
AH 1 Howe Casing	42" R to 58" R	500400412	12'	111.00
AH 470 Casing	42" R to 58" R	500470408	8'	137.00
AH 470 Casing	42" R to 58" R	500470412	12'	206.00

2-1/4" Straight Casings will bend to a 60" radius. 3-1/4" Straight Casings will bend to a 120" radius.

Rosettes				
Pattern	Size	Item Number	Application	List Price
AH 238F Floral Rosette	3/4" x 2-3/8"	50001	For 11/16" x 2-1/4" Casings	5.25
AH 358F Floral Rosette	1-1/4" x 2"	50003	For 11/16" x 3-1/4" Casings	6.75
AH 359F Floral Rosette	11/16" x 1-3/8"	50004	For 1-1/16" x 3-1/2" Casings	9.50
AH 360F Floral Rosette	1-1/8" x 3-13/16"	50005	For Casing w/Backband	10.50
AH 238B Bullseye Rosette	1" x 2-3/8"	50009	For 11/16" x 2-1/4" Casings	5.50
AH 334B Bullseye Rosette	1" x 3-3/4"	50010	For 11/16" x 3-1/4" Casings	7.00
AH 358B Bullseye Rosette	1-1/8" x 3-5/8"	50011	For 1-1/16" x 3-1/2" Casings	10.00
AH 534B Bullseye Rosette	1" x 5-3/4"	50012	For 11/16" x 5-1/4" Casings	12.75

Keystones				
Pattern	Size	Item Number	Application	List Price
AH 375 Keystone	1" x 3-3/8" x 3-3/4"	50006	For 3-1/4" and 3-1/2" Casings	8.00
AH 475 Keystone	1" x 3-5/8" x 4-7/8"	50007	For 4-1/4" and 4-1/2" Casings	8.50
AH 575 Keystone	1" x 3-3/4" x 5-3/4"	50008	For 5-1/4" and 5-1/2" Casings	9.00

Plinth Blocks				
Pattern	Size	Item Number	Application	List Price
AH 930 Plinth Blocks	1" x 3-3/4" x 9-1/4"	50013	For 3-1/4" and 3-1/2" Casings	14.00
AH 950 Plinth Blocks	1" x 5-3/4" x 9-1/4"	50014	For 5-1/4" and 5-1/2" Casings	21.00

Base Blocks				
Pattern	Size	Item Number	Application	List Price
AH 960 Base Blocks	1" x 9"	50015	ISC For Baseboard	4.00
AH 961 Base Blocks	1" x 9"	50016	OSC For Baseboard	4.00

Bullseye Rosette



Floral Rosette



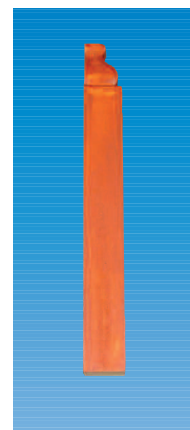
Keystone



Plinth Block

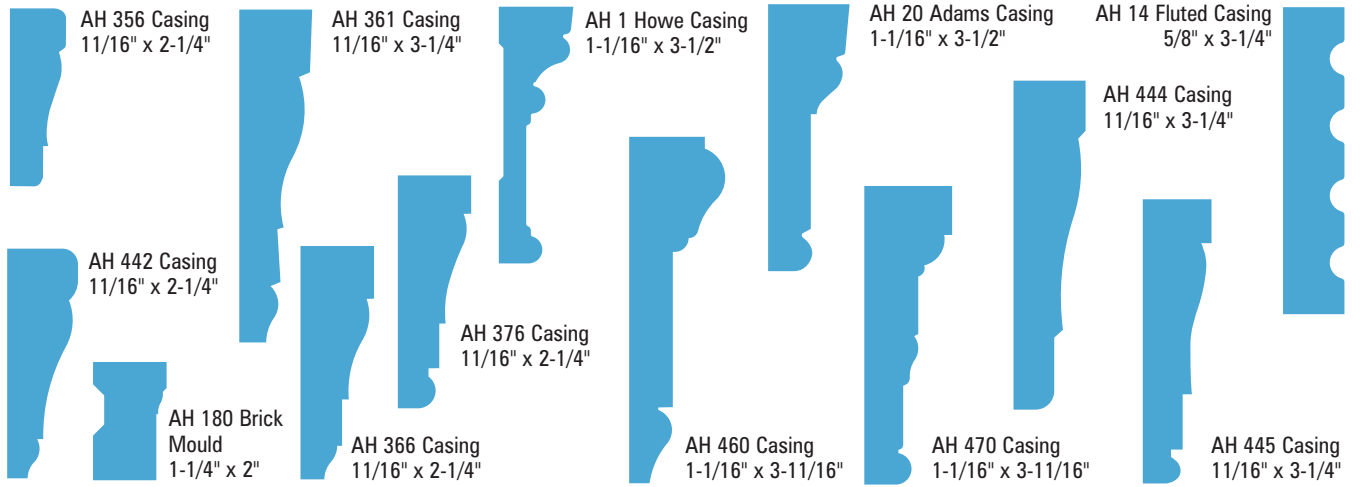


Base Block

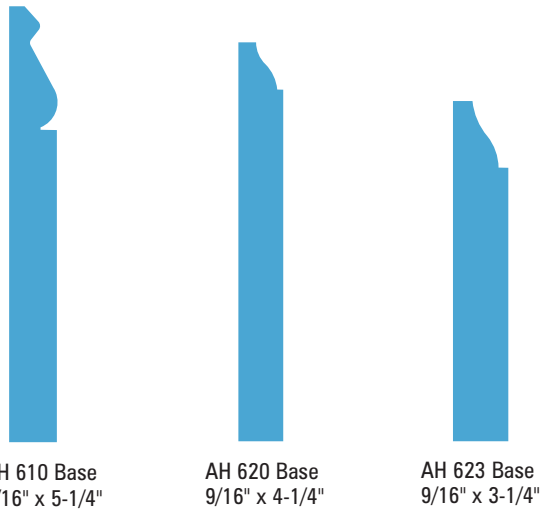


# Arndt & Herman Flex Trim – Moulding Profiles

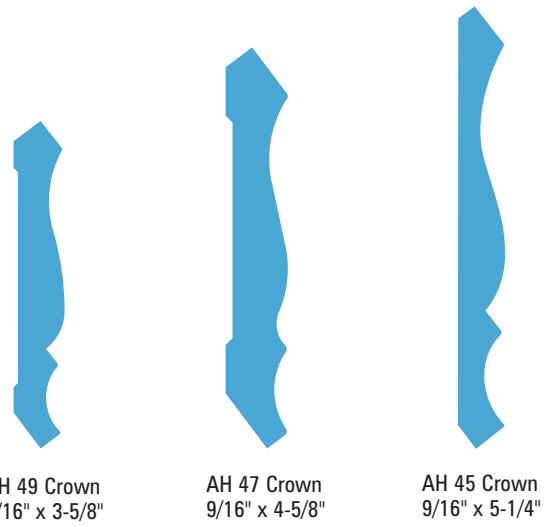
## Casings



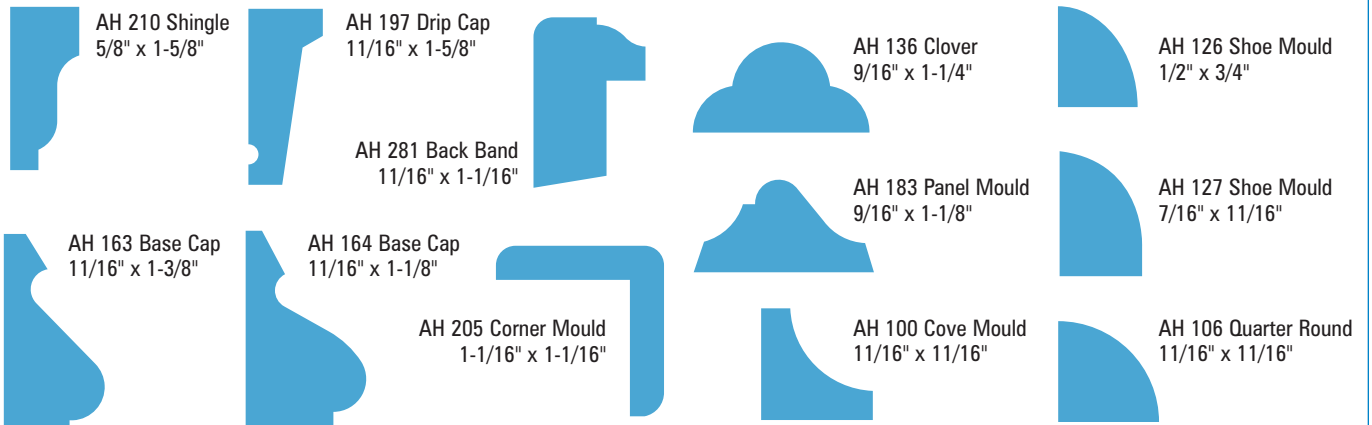
## Base Moulding

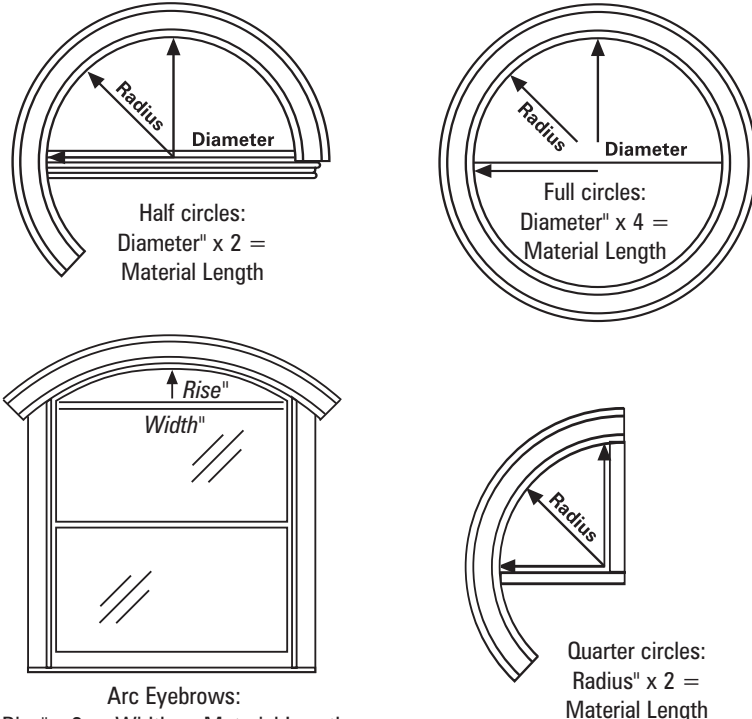
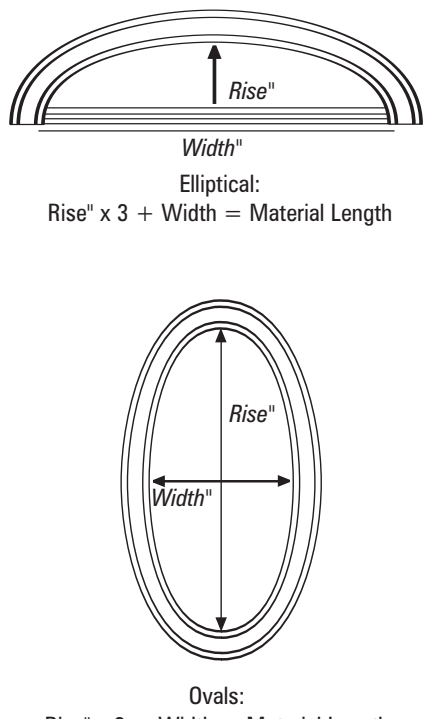


## Crown Moulding



## Miscellaneous



True Radius	Custom Shapes
<p>Template not required</p>  <p>Half circles: Diameter" x 2 = Material Length</p> <p>Full circles: Diameter" x 4 = Material Length</p> <p>Arc Eyebrows: Rise" x 3 + Width = Material Length</p> <p>Quarter circles: Radius" x 2 = Material Length</p>	<p>Template required</p>  <p>Elliptical: Rise" x 3 + Width = Material Length</p> <p>Ovals: Rise" x 3 + Width = Material Length</p>

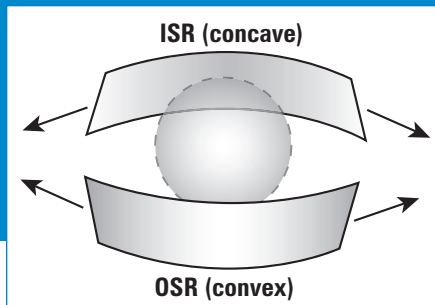
True Radius Flexibility			
Casing Size	Diameters	Expands	Contracts
3/4" x 3-1/2"	1'-6" through 3'-0"	4"	2"
3/4" x 3-1/2"	4'-0" and larger	10"	6"

Pre-forming Limitations		
Crown Mould Width	Minimum Diameter	Minimum Radius
6" - 8"	4'-0"	24"
5" - 6"	3'-0"	18"
3-1/2" - 5"	2'-4"	14"
2" - 3-1/2"	1'-6"	9"

**Template Address:**

(US Mail)  
PO Box 130  
North Wilkesboro, NC 28659

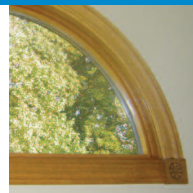
(UPS, FedEx)  
2 Grandview St.  
North Wilkesboro, NC 28659



**Crown and Dormer Applications** (and some custom pre-formed applications)

It is important to state which way the curve of your application bends:  
**ISR** (inside radius) or **OSR** (outside radius).

- **ISR (concave):** Imagine trimming the inside of a barrel or a ball.
- **OSR (convex):** Imagine trimming the outside of a barrel or a ball.



## Installation Instructions for Flexible Mouldings



**BEFORE  
YOU GET  
STARTED...**

**ALWAYS** lay out the material to let it relax back into its original shape. This is a good time to double check the moulding style and application.

**NEVER** pre-finish the material prior to installation. The material may flex during installation and cause fractures in the finish.

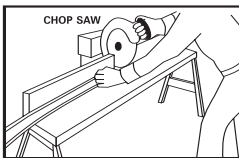
**ALWAYS** make certain that the surface to which you are applying the material is flat and smooth. Flexible moulding will follow any irregularities in the surface.

**NEVER** use staples or nails with large heads. Keep nails to a minimum and away from edges to avoid "bumps" at the edge.

**ALWAYS** use a construction adhesive in conjunction with (or in lieu of) nails or screws. This will ensure a quick and easy application and a cleaner finished look.

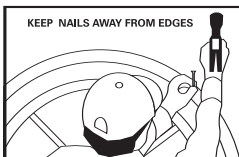
## Installation Instructions for Flexible Mouldings

### Cutting



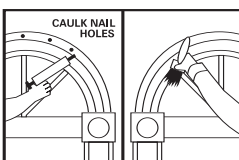
- Our flexible moulding does not have to be warmed to avoid crackage or breakage, although heating the materials does make them more flexible.
- Arndt & Herman flexible mouldings can be cut, sanded and shaped using typical woodworking tools.
- Hold material firmly to table or fence when cutting.
- Cut material long and then shave to exact length.
- When shaping, use several "shallow" passes rather than one "deep" cut.
- Do not sand or shape the wood grain grade material.

### Fasten



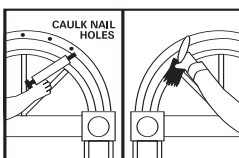
- Pre-determine material placement and layout.
- Use construction adhesive.
- Best fastening method is to nail through a block of wood placed over face and remove nail and block after adhesive cures. Keep nails 1/4" away from edges.
- Keep nails and screws to a minimum.

### Painting



- Clean material before painting.
- Fill imperfections or depressions with hard plastic resin filler and sand surface flat.
- A primer coat is recommended, but not required.
- Never paint before installation. The material is flexible and the paint may crack during installation.
- All paints work well.

### Staining



- Wood grain material can be affected if the surface is scratched, sanded or altered.
- Never stain before installation. Flexing of the material during installation may damage the stain.
- Clean material thoroughly before staining.
- Mask off surrounding areas.
- Heavy stains such as "gelled stains" or those with heavy pigment content work best.
- Use clear coat after staining using polyurethane or lacquer.



## Flexible Mouldings Limited Lifetime Warranty

**The Arndt & Herman Building Products® Flexible Mouldings Limited Lifetime Warranty is extended to original purchasers of Arndt & Herman Flexible Mouldings. This warranty is for the benefit of the original single-family homeowner who purchased the product and is not transferable. Other variations of this warranty are available for multi-family and commercial applications.**

We warrant that the Flex Trim Flexible Mouldings, when properly installed, shall be free of manufacturing defects in workmanship and materials and will not rot, blister, check, split or splinter under conditions of normal use and service when properly installed.

We further warrant that this product will not suffer structural damage from termites or fungal decay.

If the Flexible Mouldings fail to perform as warranted, Arndt & Herman Building Products will provide, at its option, replacement parts or components to the dealer specified by the original purchaser at no cost. Arndt & Herman Building Products will not be responsible for installation or labor costs.

### General Conditions and Exclusions

The Arndt & Herman Building Products Warranty is not transferable, and is subject to these general conditions and exclusions:

There are certain conditions or applications over which Arndt & Herman Building Products has no control. The Arndt & Herman Building Products Flexible Mouldings Warranty does not cover defects or problems as a result of such conditions or applications.

What is not covered:

- Damage caused by improper installation, use, applications or maintenance.
- Damage caused by environmental conditions or use that exceeds design standards.
- Damage caused by accidents, Acts of God, abuse, vandalism or any other external forces.
- Damage resulting from mishandling in transit if within customer's control.
- Normal weathering, chalking, fading, atmospheric pollutants or mildew buildup.
- Installation or labor costs.



Countertop Display

The limited warranties set forth are the only warranties (whether written or oral) applicable to Arndt & Herman Flexible Mouldings.

ARNDT & HERMAN BUILDING PRODUCTS MAKES NO OTHER WARRANTIES, EXPRESS OR IMPLIED AND MAKES NO IMPLIED WARRANTIES OF MERCHANTABILITY OR FITNESS FOR A PARTICULAR PURPOSE. THE REMEDIES STATED ABOVE ARE YOUR SOLE AND EXCLUSIVE REMEDY AND ARNDT & HERMAN BUILDING PRODUCTS WILL NOT BE RESPONSIBLE FOR INCIDENTAL OR CONSEQUENTIAL DAMAGES RELATING TO YOUR PURCHASE OR USE OF ARNDT & HERMAN BUILDING PRODUCTS. ARNDT & HERMAN BUILDING PRODUCTS LIABILITY SHALL IN ALL INSTANCES BE LIMITED TO REPAIR, REPLACEMENT OR REFUND OF YOUR ORIGINAL PURCHASE PRICE OF THE PRODUCT.

This warranty is only applicable in the United States and Canada. Some states do not allow the exclusion or limitation of incidental or consequential damages, so the above limitations or exclusions may not apply to you. This warranty gives you specific legal rights and you may also have other rights, which vary from state to state.

### How to get help if you have a Warranty Claim

To obtain help with a warranty claim, contact the dealer, distributor or building products supplier where the Arndt & Herman Flexible Mouldings were purchased. If after thirty (30) days, you have received no response to your complaint, then write to: Arndt & Herman Building Products, P.O. Box 130, North Wilkesboro, NC 28659.

Please include the following in your letter:

- 1) Identify the Arndt & Herman Building Products model number, date and place of purchase, and purchase price (proof of purchase will be required).
- 2) Describe the problem (photographs or sketches are helpful).
- 3) Describe any action that you have taken or those persons contacted in attempt to correct the problem.
- 4) Give your name, phone number and address where the product can be inspected.

Once we have received your letter, Arndt & Herman Building Products will respond within sixty (60) days. Arndt & Herman Building Products may charge an inspection fee for any onsite inspection that is required or requested by you. If it is determined that the product has a problem that is covered by the Arndt & Herman Building Products Warranty, no inspection fee will be charged.

For additional information, contact us toll free at 1-866-204-3139 or visit [www.arndtandherman.com](http://www.arndtandherman.com)