

Jamsill Guard® is designed to prevent water damage and callbacks.

Jamsill Guard is an adjustable sill flashing for exterior doors and windows, designed to prevent water damage from window and door leaks.

Jamsill Guard is injection molded and extruded from high impact ABS plastics that do not facilitate thermal transfer and will not corrode or deteriorate over time.

Jamsill Guard has been time tested for over 25 years with over 2 million units sold.

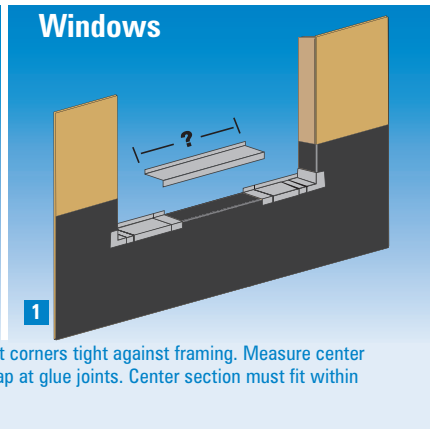
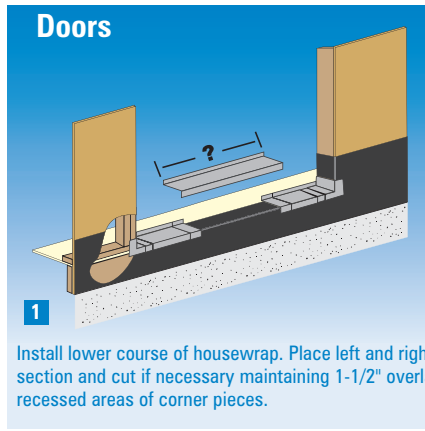
Jamsill Guard's simple design is inexpensive, easy to install, and more user friendly than other sill pans. Jamsill Guard's multiple piece, telescoping design allows the installer on-site adjustability, to fit any rough opening and is bonded together on-site with PVC cement.

Single Packs—4 Case Minimum				
Jamb Depth	Jamb Width	RO Range	Qty/Case	Item No.
4-9/16"	3/0	40" or less	6	JSP491630
4-9/16"	6/0	78" or less	6	JSP491660
4-9/16"	9/0	110" or less	6	JSP491690
6-9/16"	3/0	40" or less	6	JSP691630
6-9/16"	6/0	78" or less	6	JSP691660
6-9/16"	9/0	110" or less	6	JSP691690

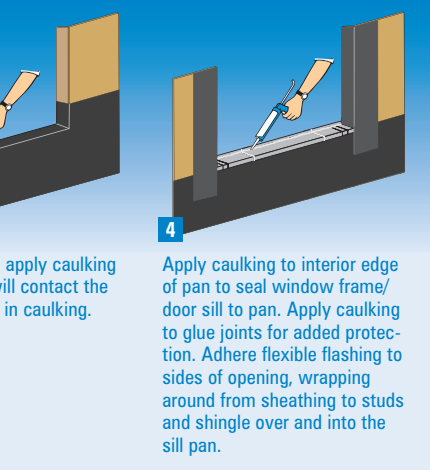
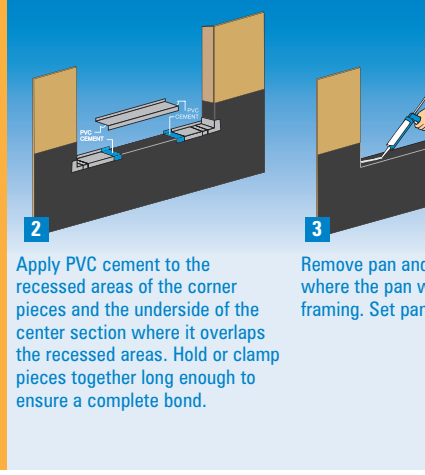
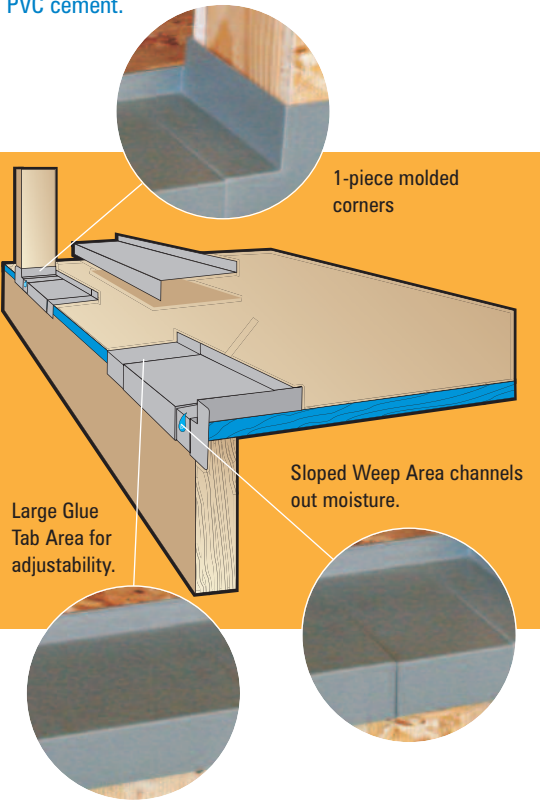
Packaged individually with complete sill pan, PVC glue, applicator brush and installation instructions. Mix and match cases, cannot break cases.

Bulk Packaging—2 Case Minimum				
Jamb Depth	Jamb Width	RO Range	Qty/Case	Item No.
3-1/4"	6/0	78" OR LESS	12	JBU31460
3-5/8"	6/0	78" OR LESS	12	JBU35860
4-9/16"	3/0	40" OR LESS	12	JBU491630
4-9/16"	6/0	78" OR LESS	12	JBU491660
6-9/16"	3/0	40" OR LESS	12	JBU691630
6-9/16"	6/0	78" OR LESS	12	JBU691660

Shipped in bulk, nested together. Installer provides PVC glue.



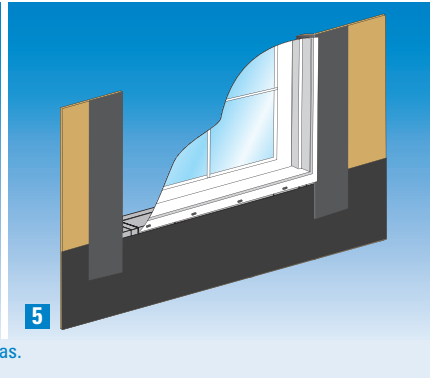
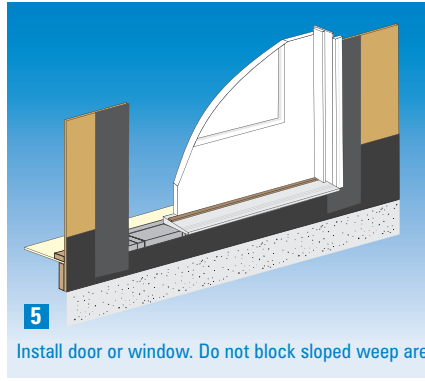
Install lower course of housewrap. Place left and right corners tight against framing. Measure center section and cut if necessary maintaining 1-1/2" overlap at glue joints. Center section must fit within recessed areas of corner pieces.



Apply PVC cement to the recessed areas of the corner pieces and the underside of the center section where it overlaps the recessed areas. Hold or clamp pieces together long enough to ensure a complete bond.

Remove pan and apply caulking where the pan will contact the framing. Set pan in caulking.

Apply caulking to interior edge of pan to seal window frame/door sill to pan. Apply caulking to glue joints for added protection. Adhere flexible flashing to sides of opening, wrapping around from sheathing to studs and shingle over and into the sill pan.



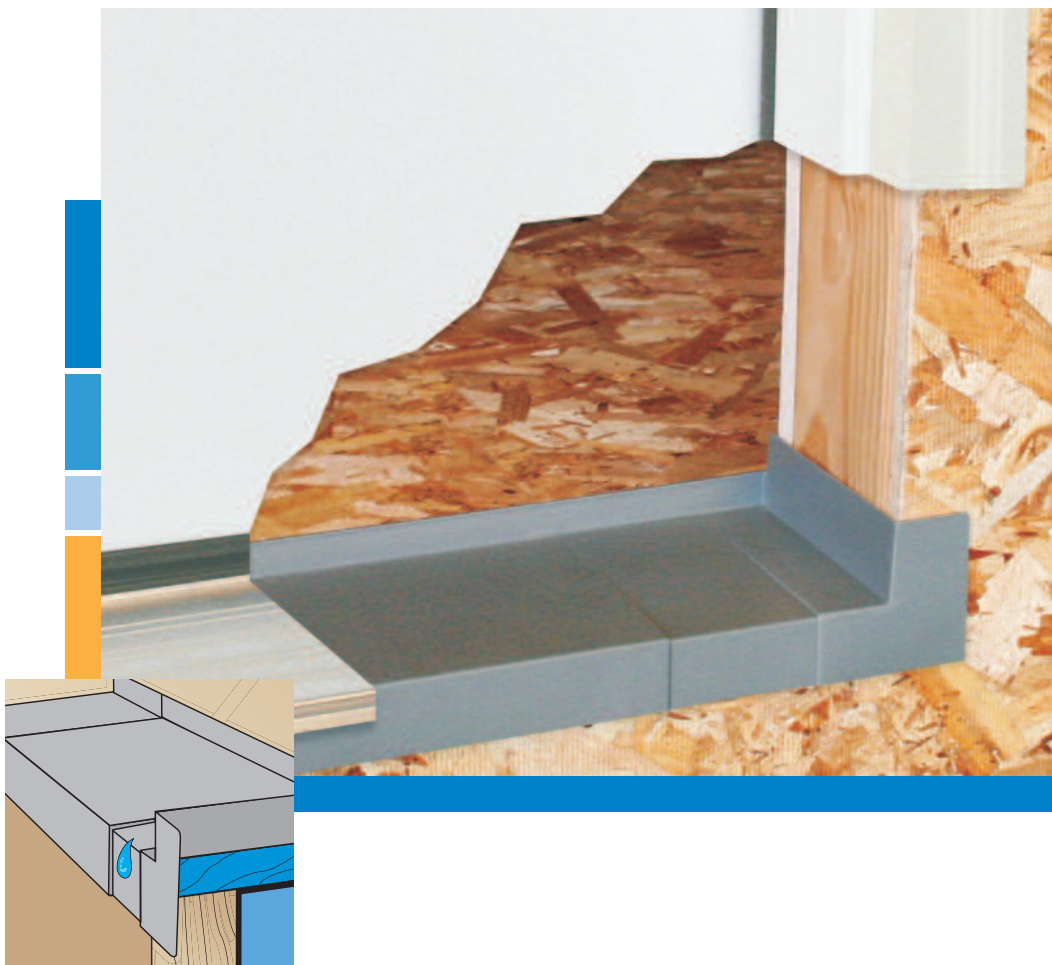
Install door or window. Do not block sloped weep areas.

Other available pan depths.

1-1/8", 2-3/8", 4-1/8" and 6-13/16"

Arndt & Herman

BUILDING PRODUCTS®



Door & Window Sill Pan Flashing

SOLUTIONS

- Reduces water damage call backs
- Quick, simple, and adjustable installation
- Sloped weep areas channel out moisture
- Multiple piece design
- Accommodates most rough openings
- Available in 8 depths to fit a wide variety of applications
- Quick Ship